

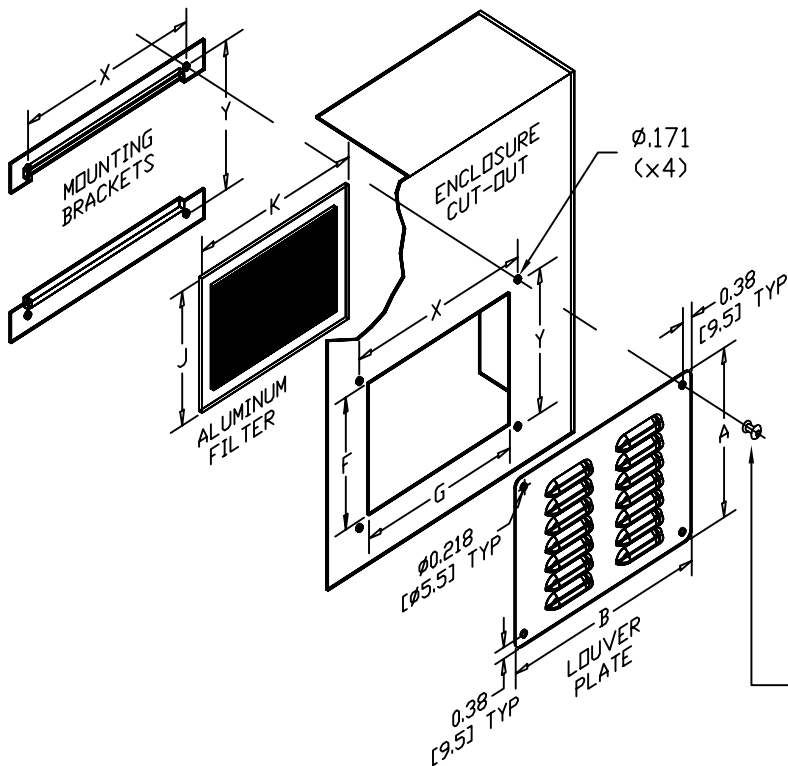
# LOUVER AND FILTER KIT

## LOUVER KIT (INCLUDES LOUVER PLATE AND HARDWARE)

CATALOG NUMBER	DIMENSIONS A x B	# OF LOUVERS	LOUVER DEPTH	LOUVER LENGTH	OPENING AREA SQ. IN. /CM	CUTOUT SIZE F	CUTOUT SIZE G	CUTOUT SIZE X	CUTOUT SIZE Y
SCE-AVK23	3.25 x 3.25 [83] x [83]	3	0.21 [5]	2.00 [51]	0.68 [17]	2.00 [51]	1.75 [44]	2.50 [63.5]	2.50 [63.5]
SCE-AVK33	3.88 x 4.50 [98] x [114]	5	0.21 [5]	3.50 [89]	2.25 [57]	2.62 [67]	3.00 [76]	3.75 [95]	3.13 [79]
SCE-AVK34	4.75 x 4.50 [121] x [114]	6	0.21 [5]	3.50 [89]	2.70 [69]	3.50 [89]	3.00 [76]	3.75 [95]	4.00 [102]
SCE-AVK43	4.50 x 5.50 [114] x [140]	6	0.21 [5]	3.50 [89]	2.70 [69]	3.25 [83]	4.00 [102]	4.75 [121]	3.75 [95]
SCE-AVK44	5.62 x 5.50 [143] x [140]	7	0.21 [5]	3.50 [89]	3.15 [80]	4.38 [111]	4.00 [102]	4.75 [121]	4.88 [124]
SCE-AVK64	5.62 x 7.50 [143] x [190]	14	0.21 [5]	3.50 [89]	3.15 [80]	4.38 [111]	6.00 [152]	6.75 [171]	4.88 [124]
SCE-AVK66	7.88 x 7.50 [200] x [190]	20	0.21 [5]	3.50 [89]	4.50 [114]	6.62 [168]	6.00 [152]	6.75 [171]	7.13 [181]
SCE-AVK84	5.81 x 9.50 [148] x [241]	14	0.21 [5]	3.50 [89]	6.30 [160]	4.56 [116]	8.00 [203]	8.75 [222]	5.06 [129]
SCE-AVK86	8.19 x 9.50 [208] x [241]	22	0.21 [5]	3.50 [89]	9.90 [251]	6.94 [176]	8.00 [203]	8.75 [222]	7.44 [189]
SCE-AVK88	10.56 x 9.50 [268] x [241]	30	0.21 [5]	3.50 [89]	13.50 [343]	9.31 [236]	8.00 [203]	8.75 [222]	9.81 [249]
SCE-AVK812	15.31 x 9.50 [389] x [241]	44	0.21 [5]	3.50 [89]	19.80 [503]	14.06 [357]	8.00 [203]	8.75 [222]	14.56 [370]

## FILTER KIT (INCLUDES FILTER AND BRACKETS)

CATALOG NUMBER	DIMENSIONS J x K	USE WITH LOUVER CATALOG NUMBER
SCE-FLT33	3.22 x 3.25 [82] x [83]	SCE-AVK33
SCE-FLT34	4.09 x 3.25 [104] x [83]	SCE-AVK34
SCE-FLT43	3.84 x 4.25 [98] x [108]	SCE-AVK43
SCE-FLT44	4.97 x 4.25 [126] x [108]	SCE-AVK44
SCE-FLT64	4.45 x 6.25 [113] x [159]	SCE-AVK64
SCE-FLT66	6.72 x 6.25 [171] x [159]	SCE-AVK66
SCE-FLT84	4.64 x 8.25 [118] x [210]	SCE-AVK84
SCE-FLT86	7.02 x 8.25 [178] x [210]	SCE-AVK86
SCE-FLT88	9.39 x 8.25 [239] x [210]	SCE-AVK88
SCE-FLT812	14.14 x 8.25 [359] x [210]	SCE-AVK812



ALUMINUM POP RIVETS  
( x 4 )